

CS 24-SL

CS 24-SL



REYNAERS
aluminium

CS 24 Slim Line



CS 24-SL (Scharnieren)

- 1 Vaste elementen
- 2 Opeengaande elementen

CS 24-SL (Scharen)

- 1 Vaste elementen
- 2 Opeengaande elementen

CS 24-SL (Charnieres)

- 1 Eléments fixes
- 2 Eléments ouvrants

CS 24-SL (Compas)

- 1 Eléments fixes
- 2 Eléments ouvrants

CS 24-SL (Hinges)

- 1 Fixed elements
- 2 Opening elements

CS 24-SL (Friction stays)

- 1 Fixed elements
- 2 Opening elements

CS 24-SL (Baender)

- 1 Feste Elemente
- 2 Öffnende Elemente

CS 24-SL (Schere)

- 1 Feste Elemente
- 2 Öffnende Elemente



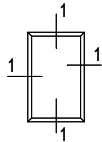
CS 24-SL



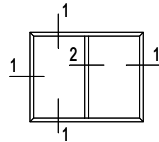
CS 24-SL (Hinges)

1 Fixed elements

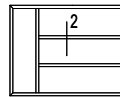
Outer frame & Transom-mullion



CS 24-SL - 002



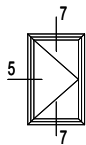
CS 24-SL - 002



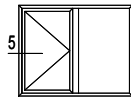
CS 24-SL - 002

2 Opening elements

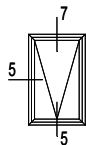
Outward opening windows



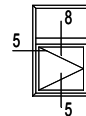
CS 24-SL - 003



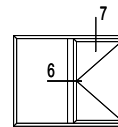
CS 24-SL - 003



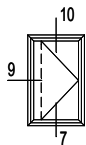
CS 24-SL - 003



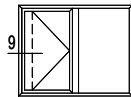
CS 24-SL - 003



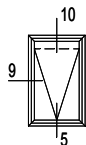
CS 24-SL - 006



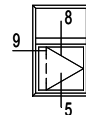
CS 24-SL - 004



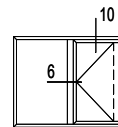
CS 24-SL - 004



CS 24-SL - 004



CS 24-SL - 004

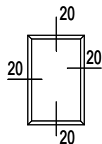


CS 24-SL - 007

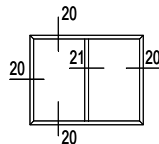
CS 24-SL (Friction stays)

3 Fixed elements

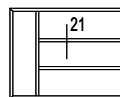
Outer frame & Transom-mullion



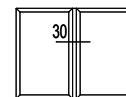
CS 24-SL - 005



CS 24-SL - 005



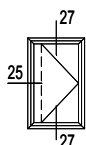
CS 24-SL - 005



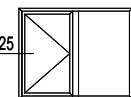
CS 24-SL - 005

4 Opening elements

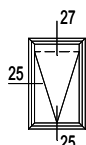
Outward opening windows



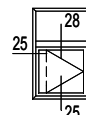
CS 24-SL - 006



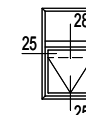
CS 24-SL - 006



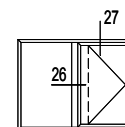
CS 24-SL - 006



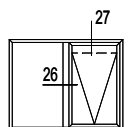
CS 24-SL - 006



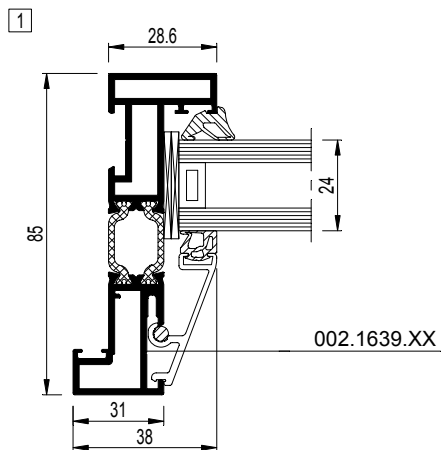
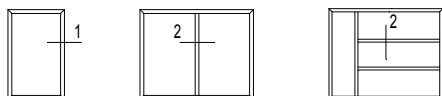
CS 24-SL - 006



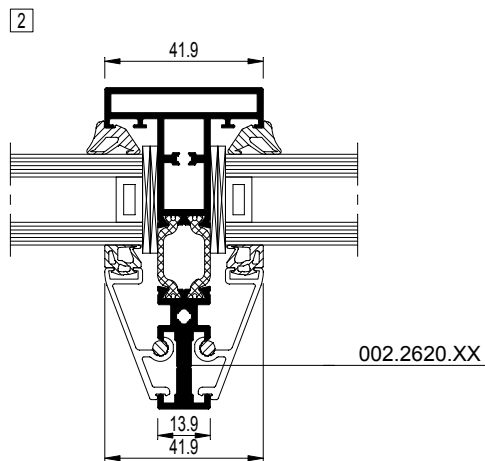
CS 24-SL - 006



CS 24-SL - 006



CS24-SL-001001.dxf
 CS24-SL-001001.dwg

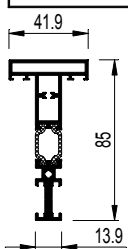


... .dxf
dwg



002.2620.XX

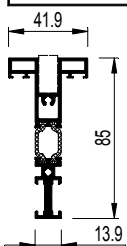
$I_x = 31.391 \text{ cm}^4$



CS24-SL-002001.dxf
 CS24-SL-002001.dwg

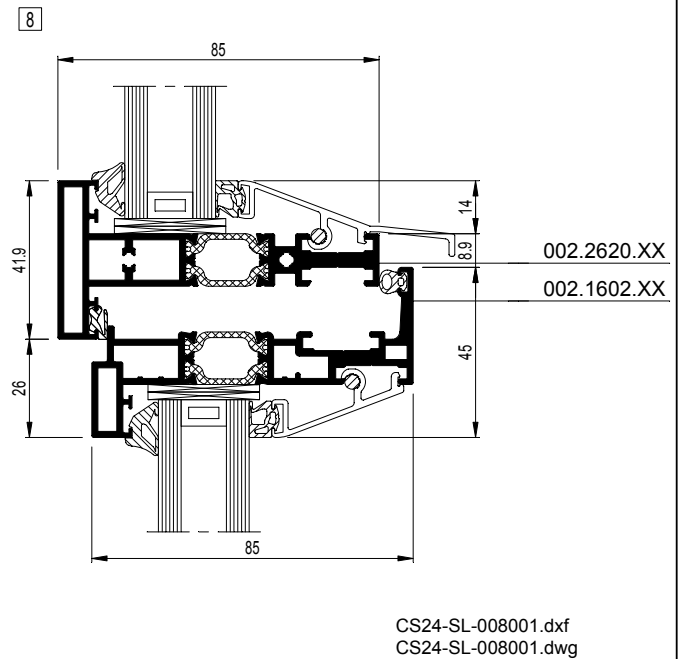
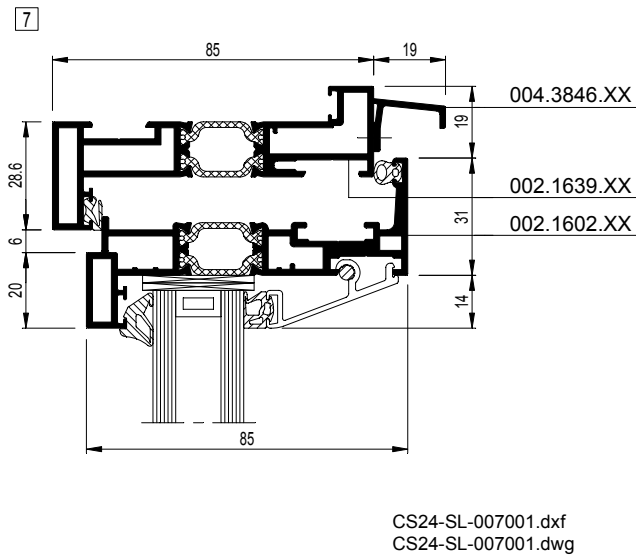
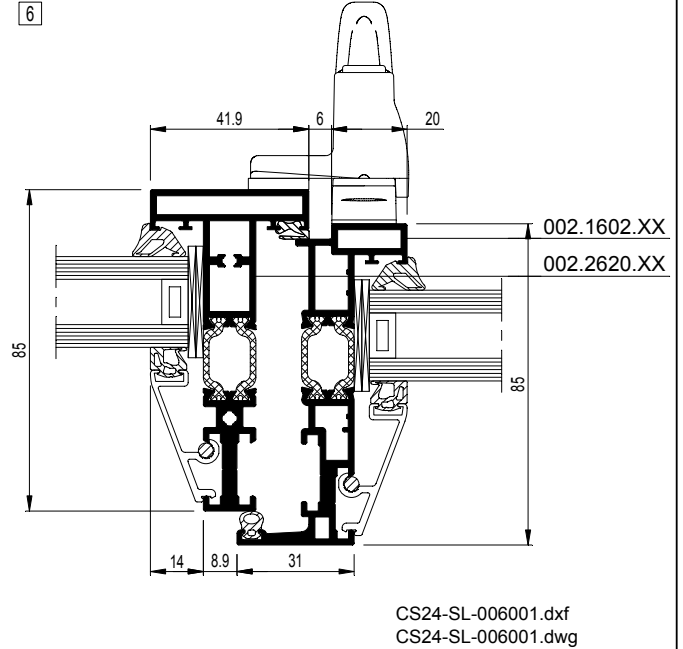
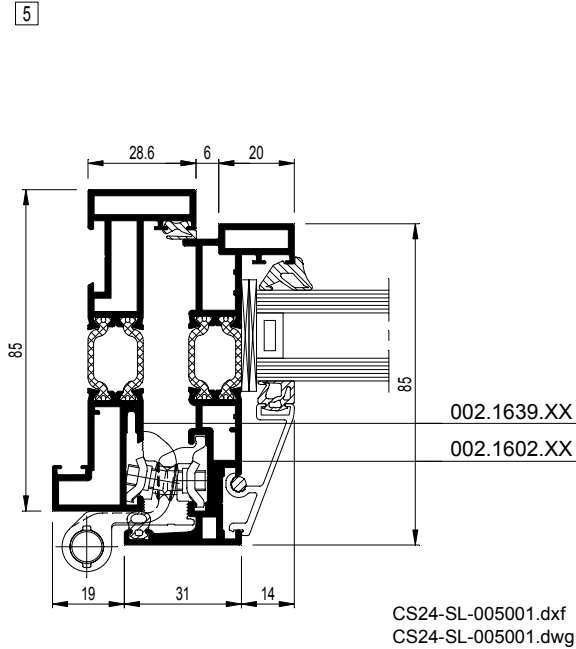
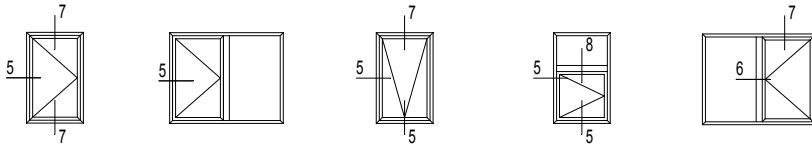
002.2695.XX

$I_x = 31.148 \text{ cm}^4$



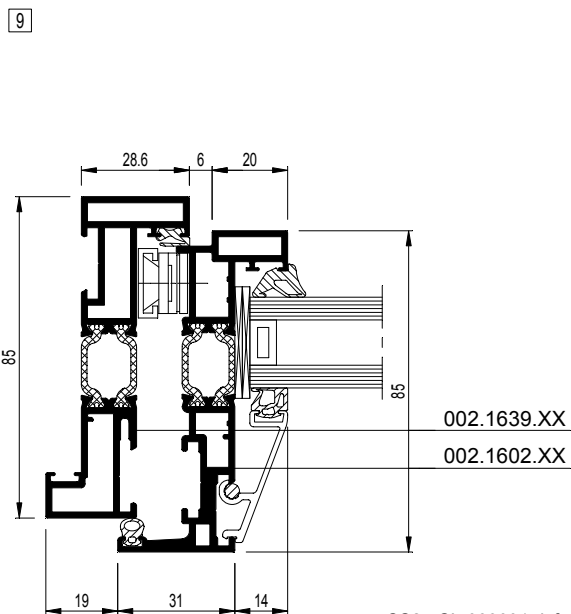
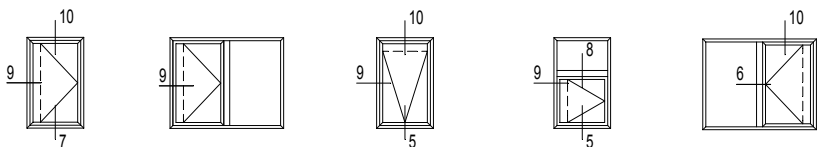
CS24-SL-002002.dxf
 CS24-SL-002002.dwg

- 002.2695.XX + Alu 0M0.2010.XX : $I_x = 34.87 \text{ cm}^4$
- 002.2695.XX + Alu 0M0.3510.XX : $I_x = 47.13 \text{ cm}^4$
- 002.2695.XX + Alu 0M0.4008.XX : $I_x = 49.15 \text{ cm}^4$
- 002.2695.XX + Alu 0M0.5008.XX : $I_x = 60.59 \text{ cm}^4$
- 002.2695.XX + Alu 0M0.8008.XX : $I_x = 113.16 \text{ cm}^4$
- 002.2695.XX + Alu 0M1.0010.XX : $I_x = 184.25 \text{ cm}^4$

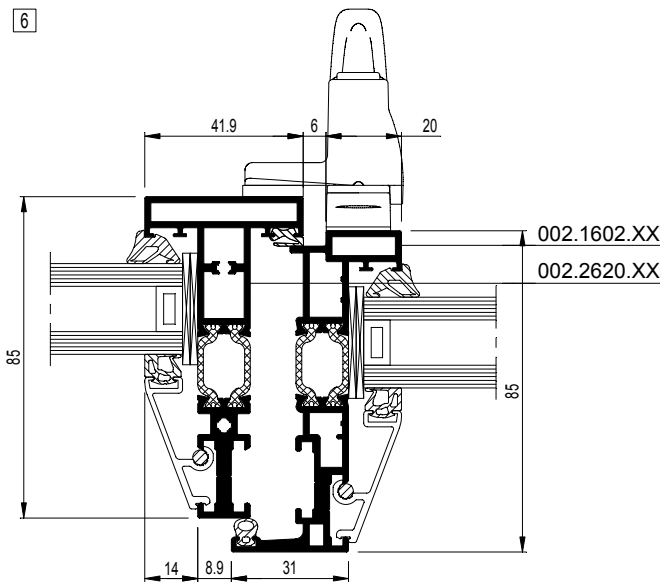


CS 24-SL

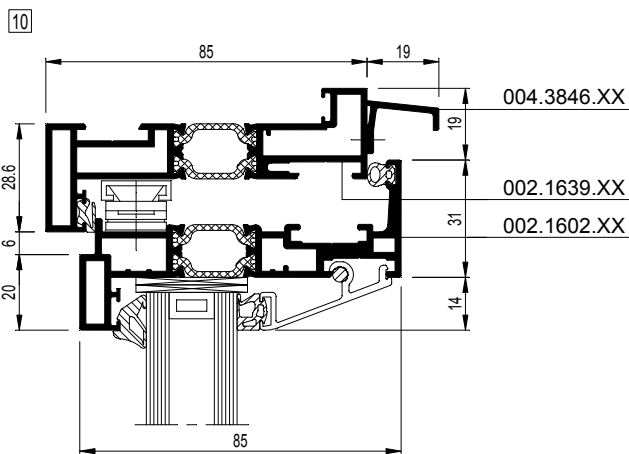
Opengaande elementen - Naar buiten opengaande ramen
 Éléments ouvrants - Fenêtres ouvrant vers l'extérieur
 Opening elements - Outward opening windows
 Öffnende Elemente - Nach außen öffnende Fenster



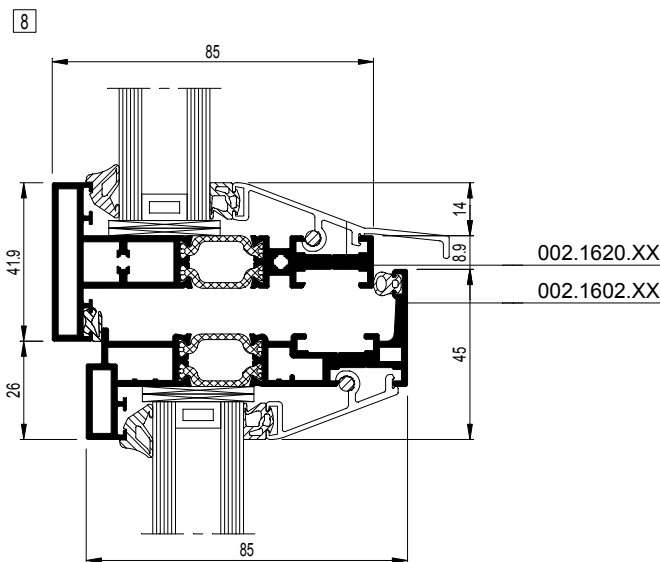
CS24-SL-009001.dxf
CS24-SL-009001.dwg



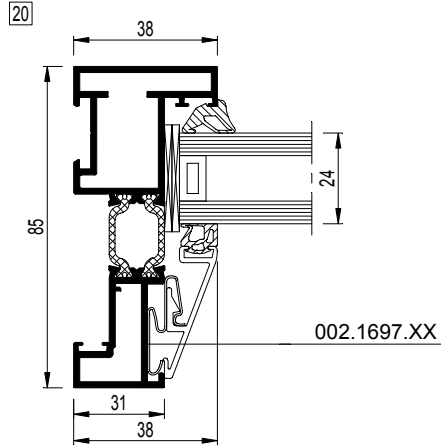
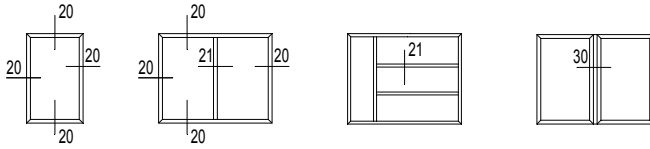
CS24-SL-006001.dxf
CS24-SL-006001.dwg



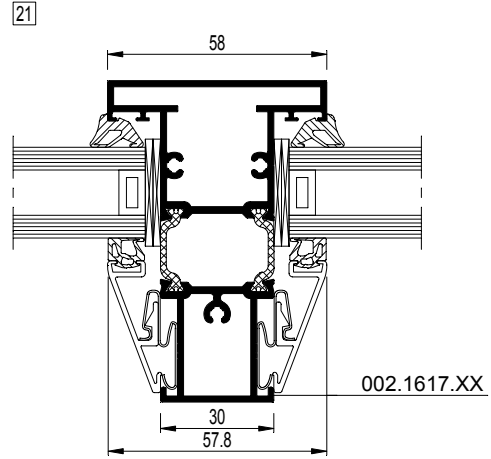
CS24-SL-010001.dxf
CS24-SL-010001.dwg



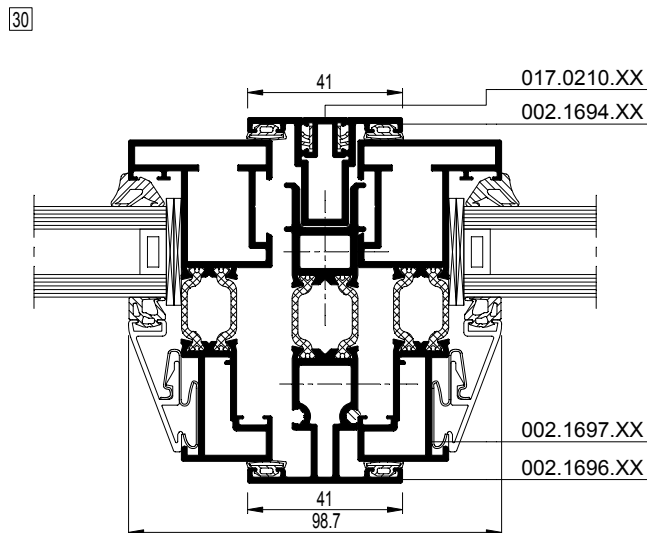
CS24-SL-008001.dxf
CS24-SL-008001.dwg



CS24-SL-020001.dxf
 CS24-SL-020001.dwg



CS24-SL-021001.dxf
 CS24-SL-021001.dwg



CS24-SL-030001.dxf
 CS24-SL-030001.dwg

