

CS 24-SL

CS 24-SL



REYNAERS
aluminium

CS 24 Slim Line



CS 24-SL (Scharnieren)

- 1 Vaste elementen
- 2 Opegaande elementen

CS 24-SL (Scharen)

- 1 Vaste elementen
- 2 Opegaande elementen

CS 24-SL (Charnieres)

- 1 Eléments fixes
- 2 Eléments ouvrants

CS 24-SL (Compas)

- 1 Eléments fixes
- 2 Eléments ouvrants

CS 24-SL (Hinges)

- 1 Fixed elements
- 2 Opening elements

CS 24-SL (Friction stays)

- 1 Fixed elements
- 2 Opening elements

CS 24-SL (Baender)

- 1 Feste Elemente
- 2 Öffnende Elemente

CS 24-SL (Schere)

- 1 Feste Elemente
- 2 Öffnende Elemente

CS 24-SL

Systeemoverzicht
Aperçu du système
System overview
Systemübersicht



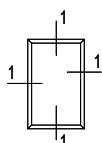
CS 24-SL



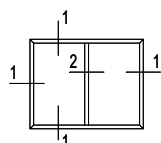
CS 24-SL (Scharnieren)

1 Vaste elementen

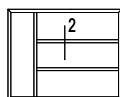
Buitenkader & T-profiel



CS 24-SL - 002



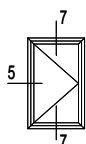
CS 24-SL - 002



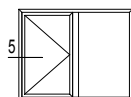
CS 24-SL - 002

2 Opegaande elementen

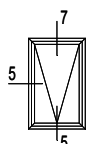
Naar buiten opengaande ramen



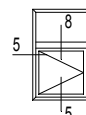
CS 24-SL - 003



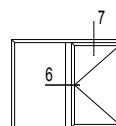
CS 24-SL - 003



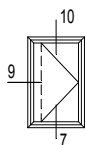
CS 24-SL - 003



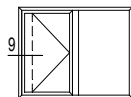
CS 24-SL - 003



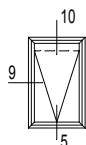
CS 24-SL - 006



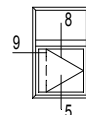
CS 24-SL - 004



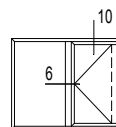
CS 24-SL - 004



CS 24-SL - 004



CS 24-SL - 004

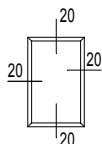


CS 24-SL - 007

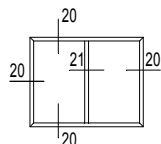
CS 24-SL (Scharen)

3 Vaste elementen

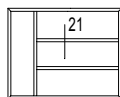
Buitenkader & T-profiel



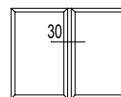
CS 24-SL - 005



CS 24-SL - 005



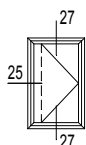
CS 24-SL - 005



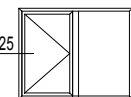
CS 24-SL - 005

4 Opegaande elementen

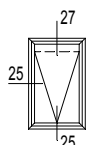
Naar buiten opengaande ramen



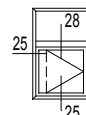
CS 24-SL - 006



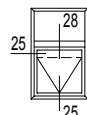
CS 24-SL - 006



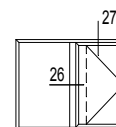
CS 24-SL - 006



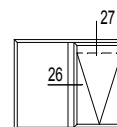
CS 24-SL - 006



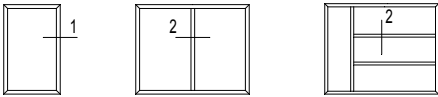
CS 24-SL - 006



CS 24-SL - 006



CS 24-SL - 006



1

002.1639.XX

CS24-SL-001001.dxf
CS24-SL-001001.dwg

2

002.2620.XX

... .dxf
... .dwg

002.2620.XX

$I_x = 31.391 \text{ cm}^4$

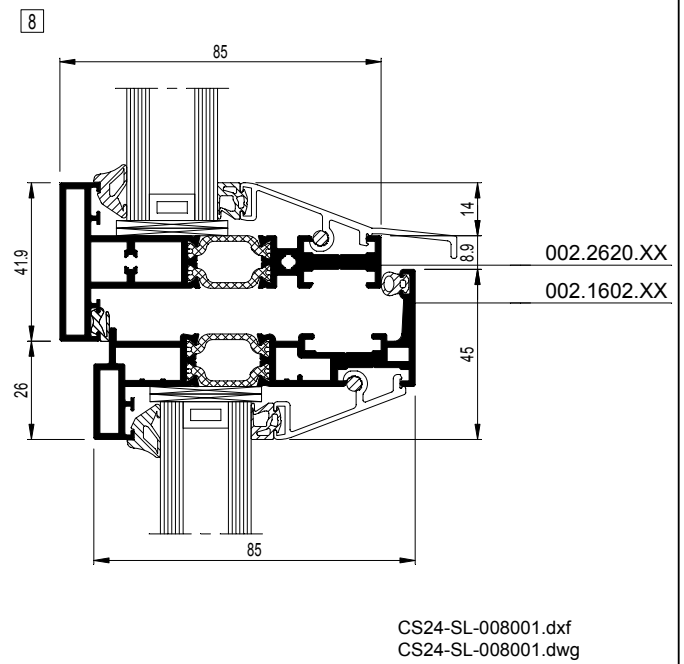
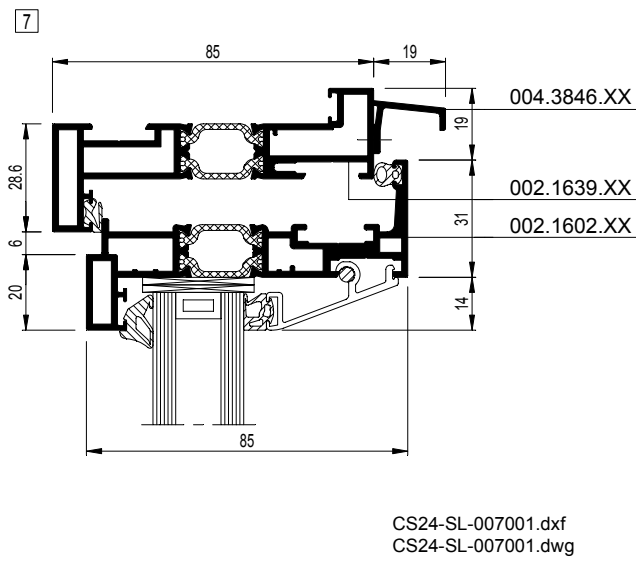
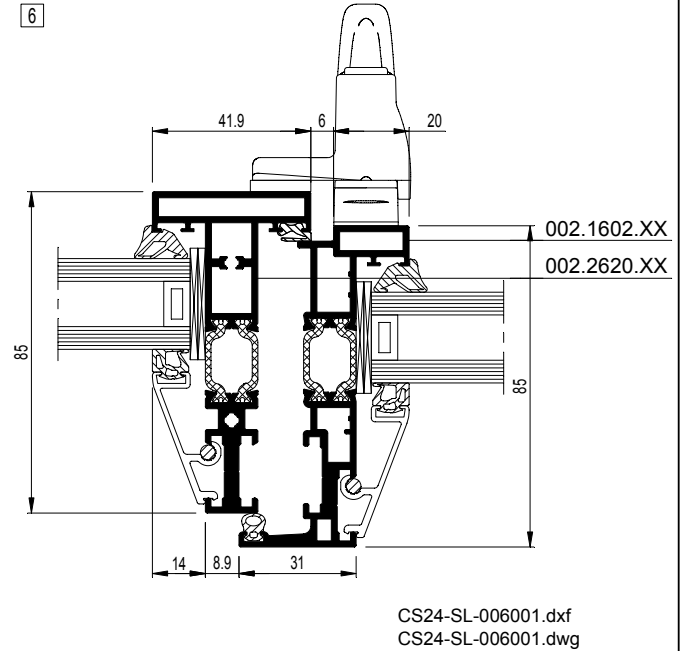
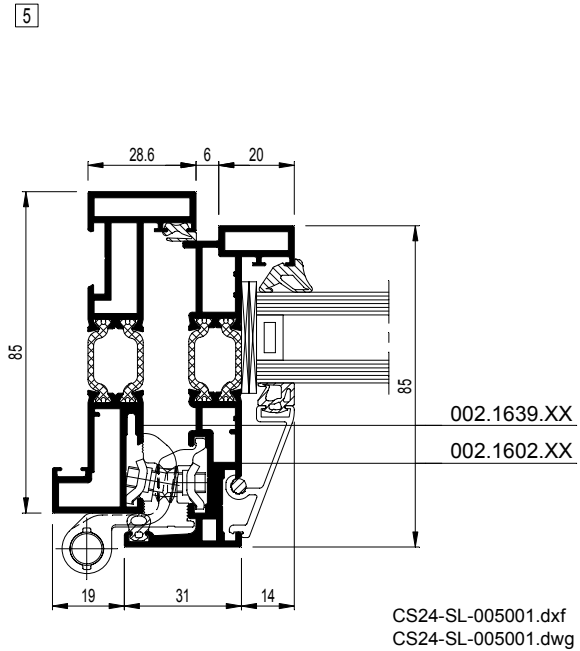
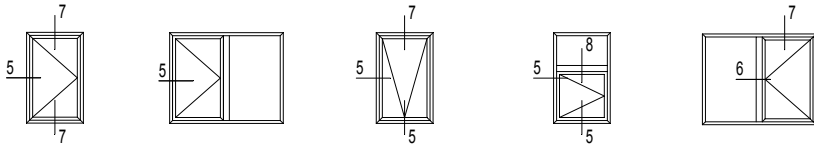
CS24-SL-002001.dxf
CS24-SL-002001.dwg

002.2695.XX

$I_x = 31.148 \text{ cm}^4$

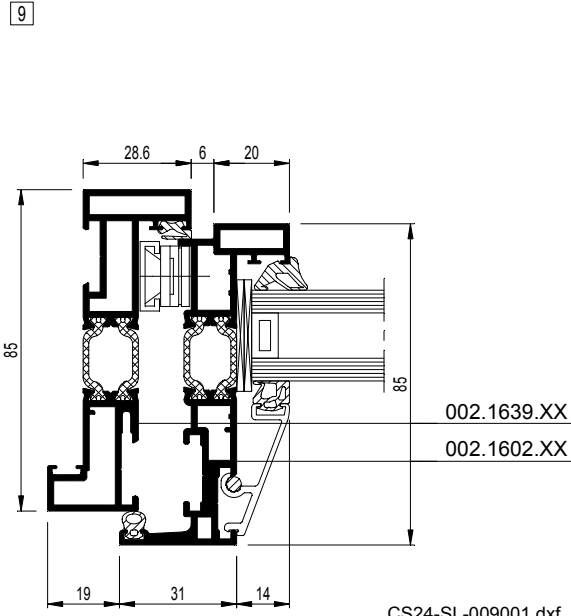
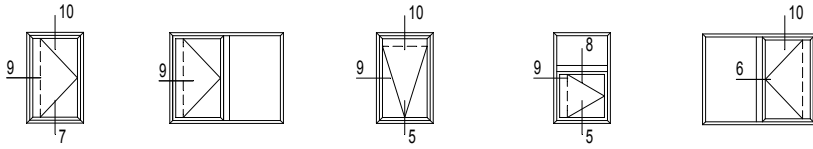
CS24-SL-002002.dxf
CS24-SL-002002.dwg

- 002.2695.XX + Alu 0M0.2010.XX : $I_x = 34.87 \text{ cm}^4$
- 002.2695.XX + Alu 0M0.3510.XX : $I_x = 47.13 \text{ cm}^4$
- 002.2695.XX + Alu 0M0.4008.XX : $I_x = 49.15 \text{ cm}^4$
- 002.2695.XX + Alu 0M0.5008.XX : $I_x = 60.59 \text{ cm}^4$
- 002.2695.XX + Alu 0M0.8008.XX : $I_x = 113.16 \text{ cm}^4$
- 002.2695.XX + Alu 0M1.0010.XX : $I_x = 184.25 \text{ cm}^4$

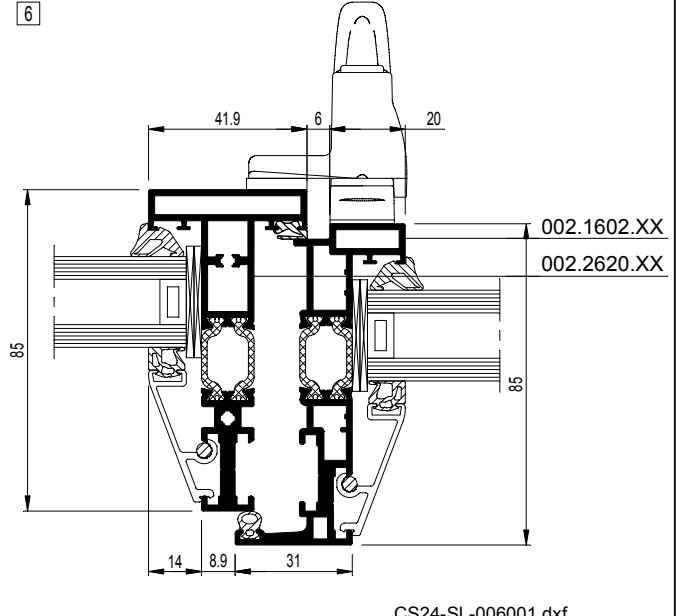


CS 24-SL

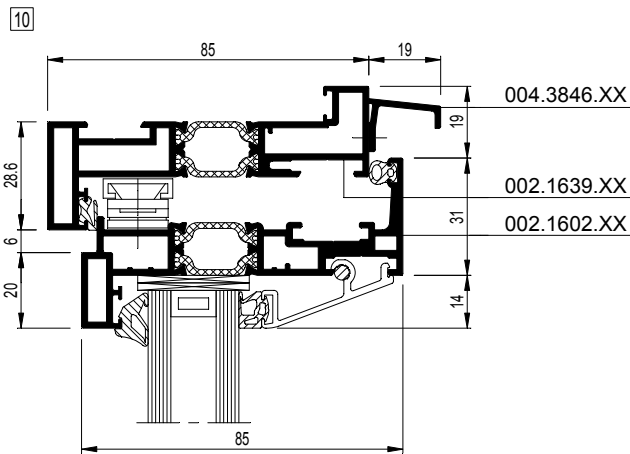
Opengaande elementen - Naar buiten opengaande ramen
 Éléments ouvrants - Fenêtres ouvrant vers l'extérieur
 Opening elements - Outward opening windows
 Öffnende Elemente - Nach außen öffnende Fenster



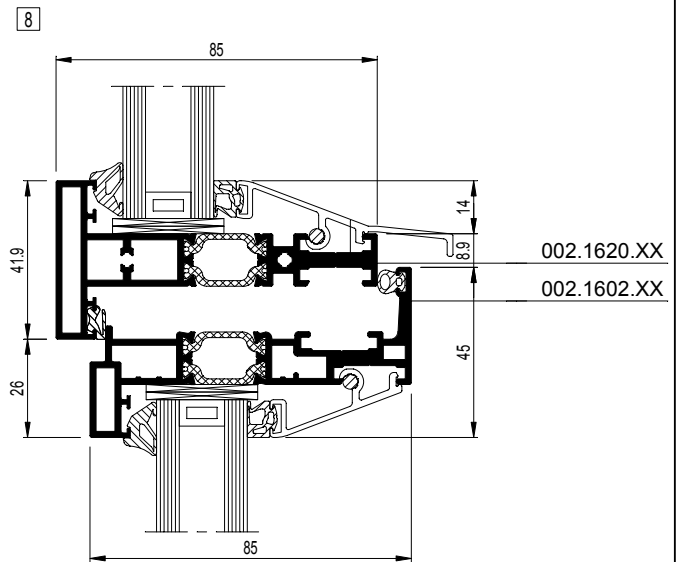
CS24-SL-009001.dxf
CS24-SL-009001.dwg



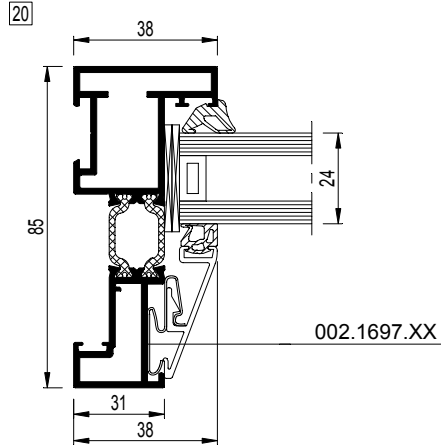
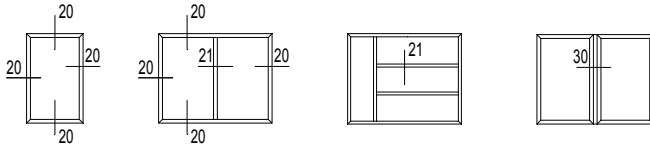
CS24-SL-006001.dxf
CS24-SL-006001.dwg



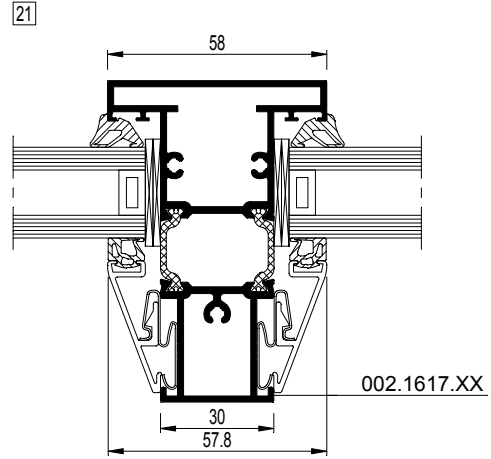
CS24-SL-010001.dxf
CS24-SL-010001.dwg



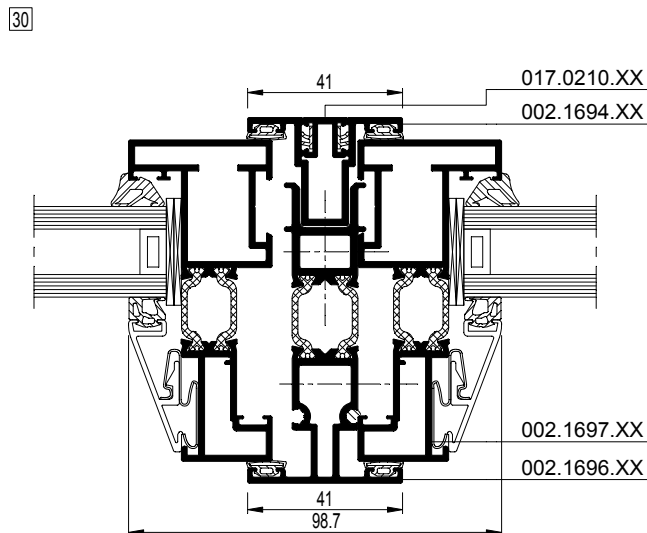
CS24-SL-008001.dxf
CS24-SL-008001.dwg



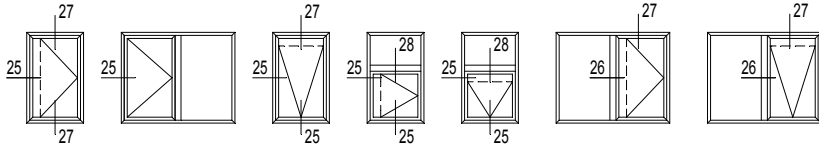
CS24-SL-020001.dxf
 CS24-SL-020001.dwg



CS24-SL-021001.dxf
 CS24-SL-021001.dwg



CS24-SL-030001.dxf
 CS24-SL-030001.dwg



25

002.1697.XX
002.1603.XX

CS24-SL-025001.dxf
CS24-SL-025001.dwg

26

002.1603.XX
002.1617.XX

CS24-SL-026001.dxf
CS24-SL-026001.dwg

27

004.3846.XX
002.1697.XX
002.1603.XX

CS24-SL-027001.dxf
CS24-SL-027001.dwg

28

004.3846.XX
002.1617.XX
002.1603.XX

CS24-SL-028001.dxf
CS24-SL-028001.dwg