

CS 24-SL

CS 24-SL



CS 24 Slim Line



CS 24-SL (Scharnieren)

- 1 Vaste elementen
- 2 Opeengaande elementen

CS 24-SL (Scharen)

- 1 Vaste elementen
- 2 Opeengaande elementen

CS 24-SL (Charnieres)

- 1 Eléments fixes
- 2 Eléments ouvrants

CS 24-SL (Compas)

- 1 Eléments fixes
- 2 Eléments ouvrants

CS 24-SL (Hinges)

- 1 Fixed elements
- 2 Opening elements

CS 24-SL (Friction stays)

- 1 Fixed elements
- 2 Opening elements

CS 24-SL (Baender)

- 1 Feste Elemente
- 2 Öffnende Elemente

CS 24-SL (Schere)

- 1 Feste Elemente
- 2 Öffnende Elemente

CS 24-SL

Systemoverzicht
Aperçu du système
System overview
Systemübersicht



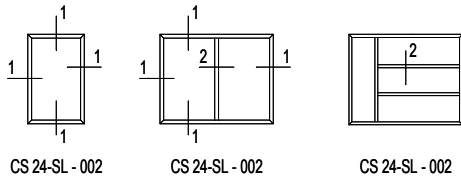
CS 24-SL



CS 24-SL (Charnieres)

1 Eléments fixes

Dormant & Traverse



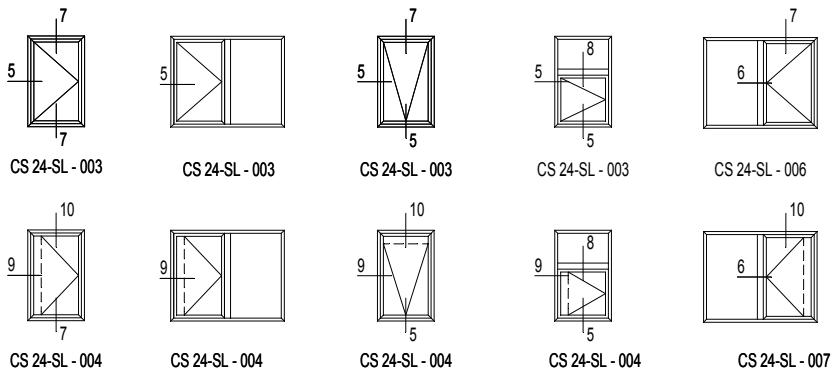
CS 24-SL - 002

CS 24-SL - 002

CS 24-SL - 002

2 Eléments ouvrants

Fenêtres ouvrant vers l'extérieur



CS 24-SL - 003

CS 24-SL - 003

CS 24-SL - 003

CS 24-SL - 003

CS 24-SL - 006

CS 24-SL - 004

CS 24-SL - 004

CS 24-SL - 004

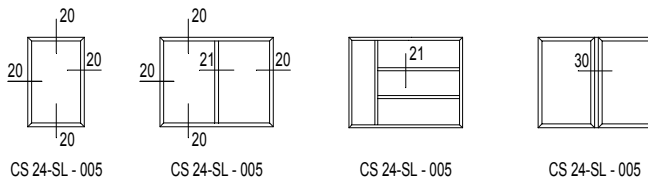
CS 24-SL - 004

CS 24-SL - 007

CS 24-SL (Compas)

3 Eléments fixes

Dormant & Traverse



CS 24-SL - 005

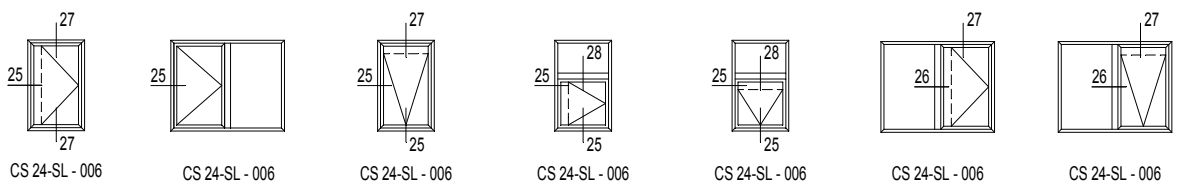
CS 24-SL - 005

CS 24-SL - 005

CS 24-SL - 005

4 Eléments ouvrants

Fenêtres ouvrant vers l'extérieur



CS 24-SL - 006

CS 24-SL - 006

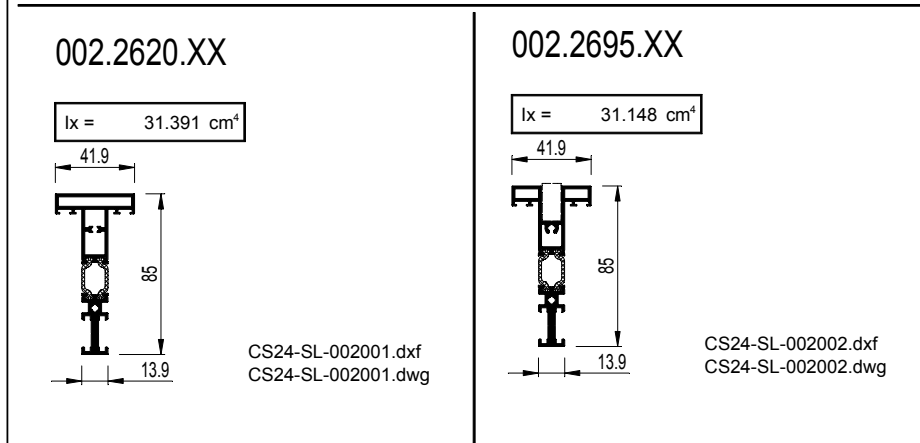
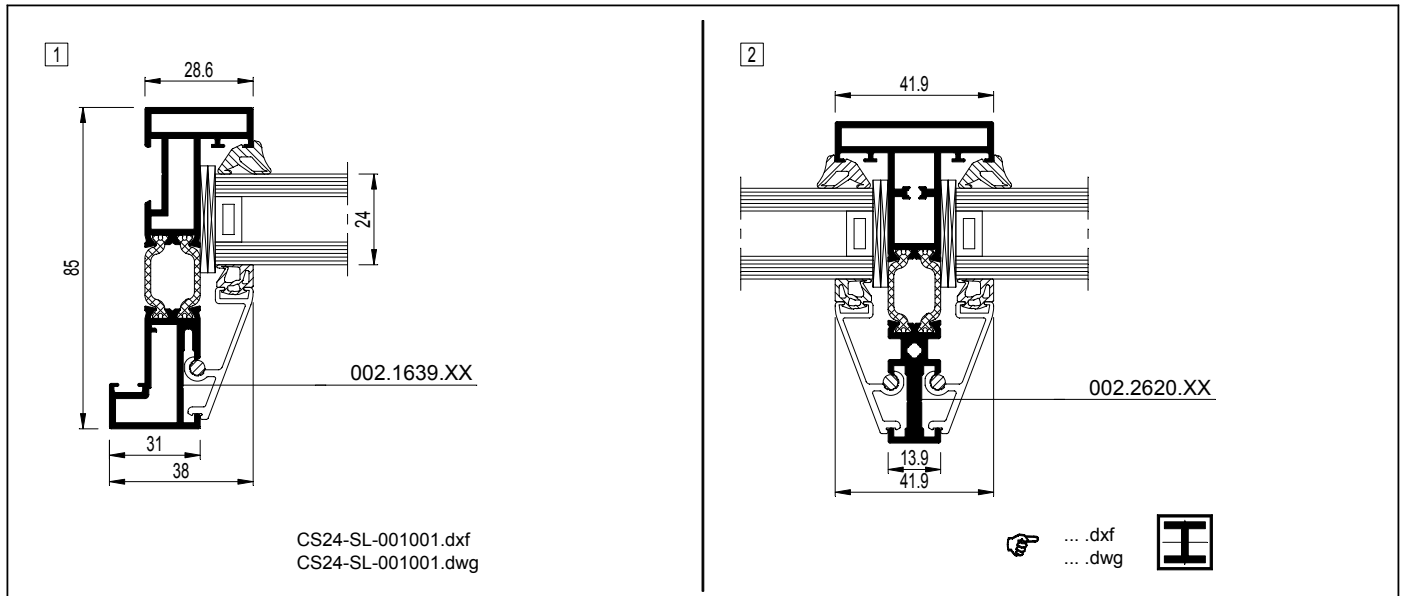
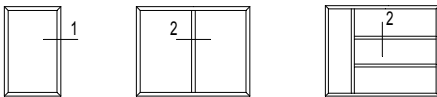
CS 24-SL - 006

CS 24-SL - 006

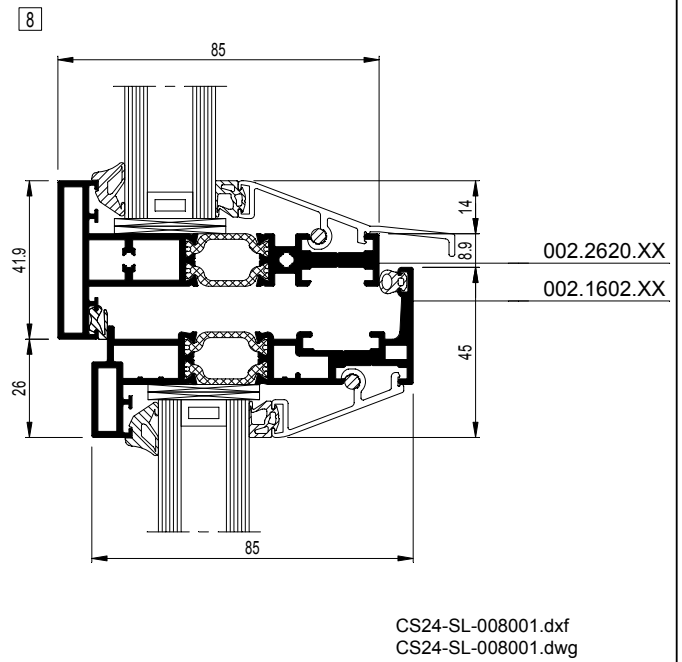
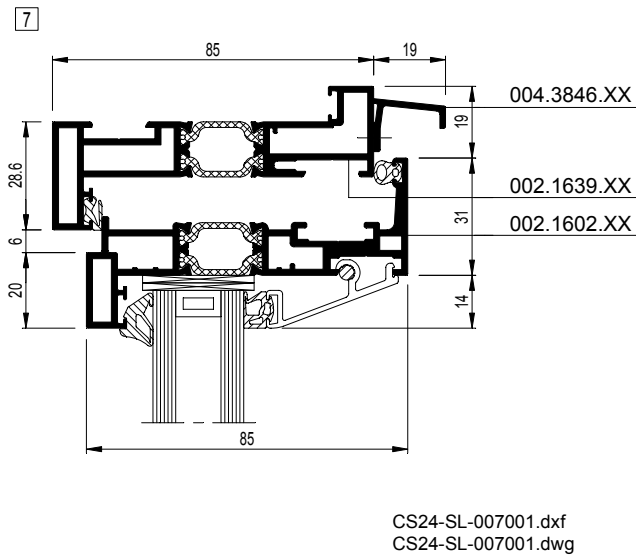
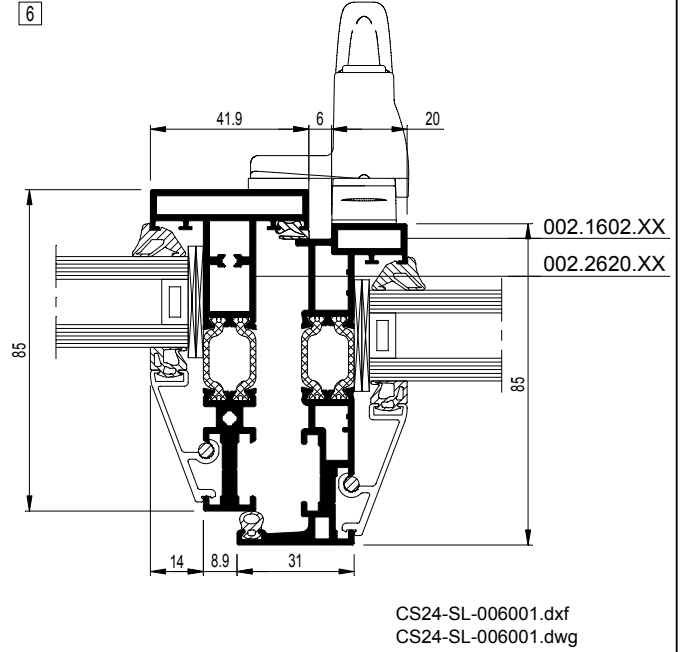
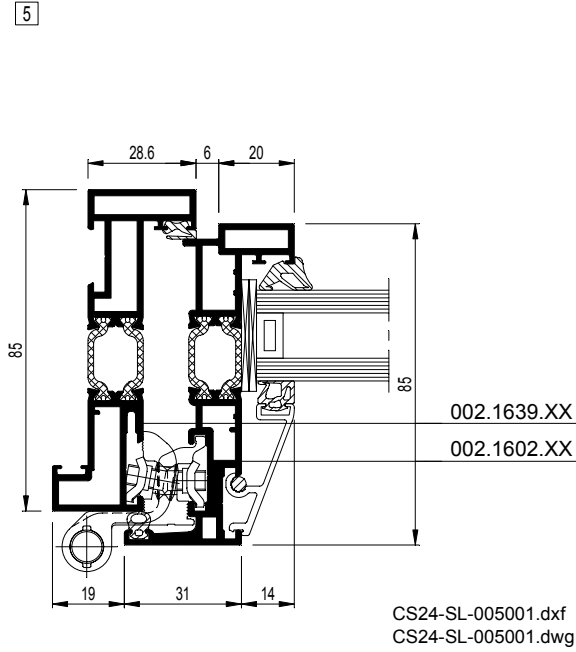
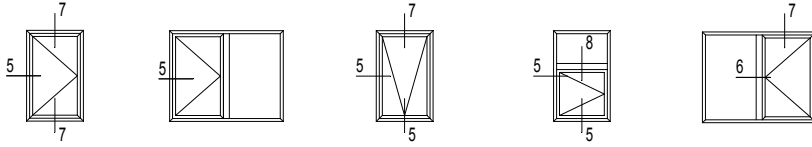
CS 24-SL - 006

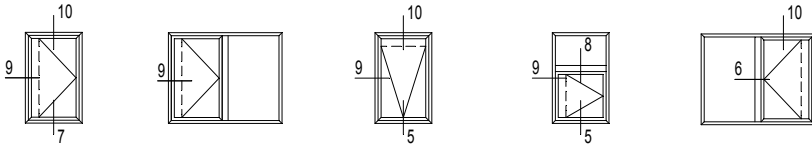
CS 24-SL - 006

CS 24-SL - 006

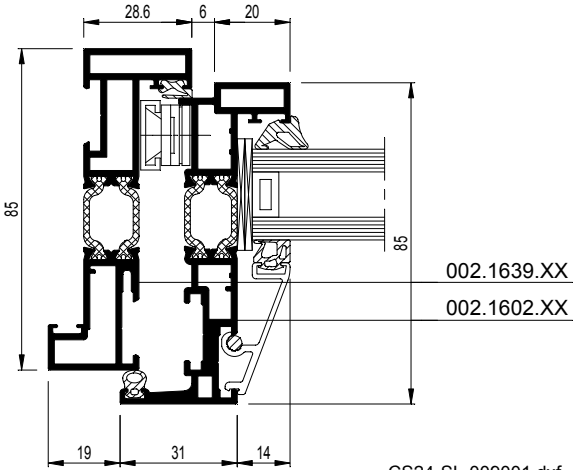


- 002.2695.XX + Alu 0M0.2010.XX : $I_x = 34.87 \text{ cm}^4$
- 002.2695.XX + Alu 0M0.3510.XX : $I_x = 47.13 \text{ cm}^4$
- 002.2695.XX + Alu 0M0.4008.XX : $I_x = 49.15 \text{ cm}^4$
- 002.2695.XX + Alu 0M0.5008.XX : $I_x = 60.59 \text{ cm}^4$
- 002.2695.XX + Alu 0M0.8008.XX : $I_x = 113.16 \text{ cm}^4$
- 002.2695.XX + Alu 0M1.0010.XX : $I_x = 184.25 \text{ cm}^4$



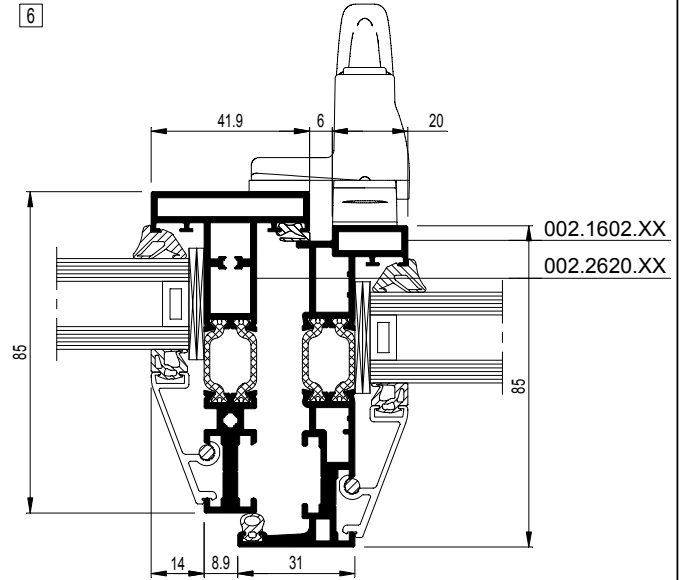


9



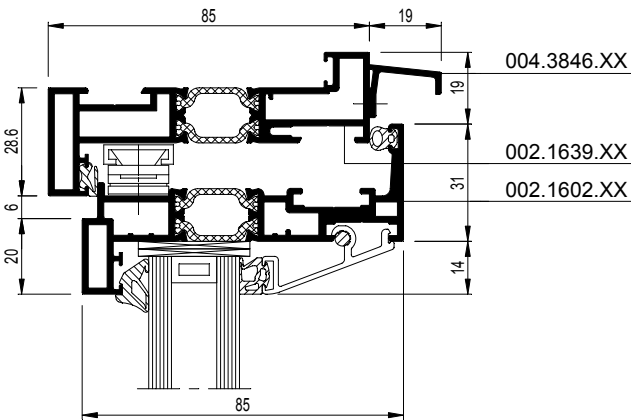
CS24-SL-009001.dxf
 CS24-SL-009001.dwg

6



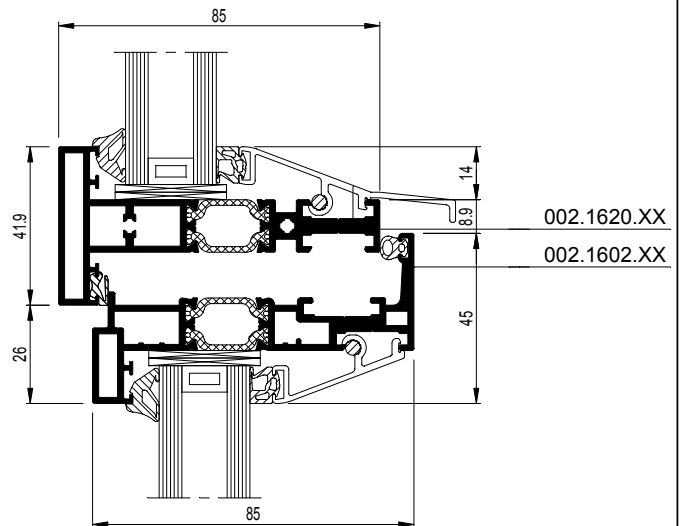
CS24-SL-006001.dxf
 CS24-SL-006001.dwg

10

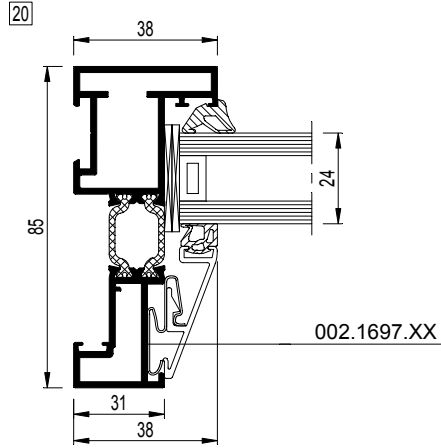
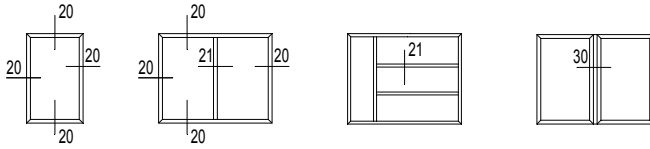


CS24-SL-010001.dxf
 CS24-SL-010001.dwg

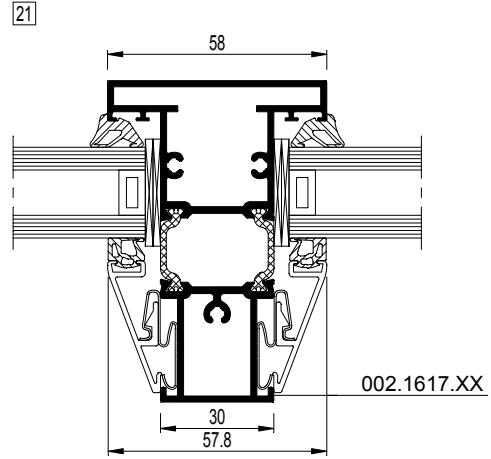
8



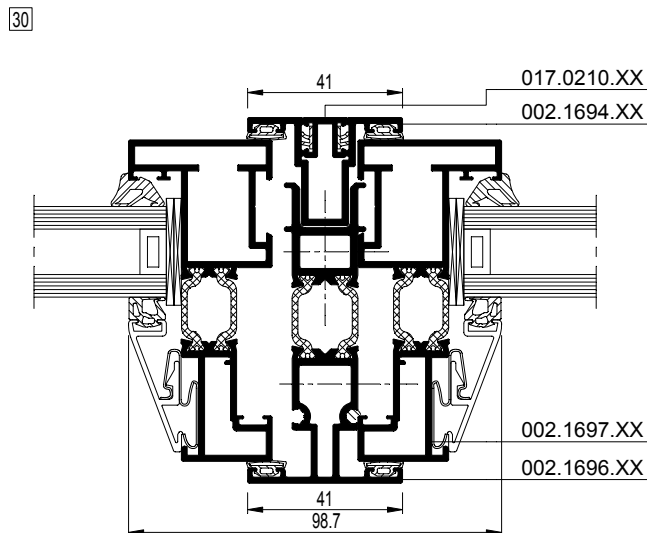
CS24-SL-008001.dxf
 CS24-SL-008001.dwg



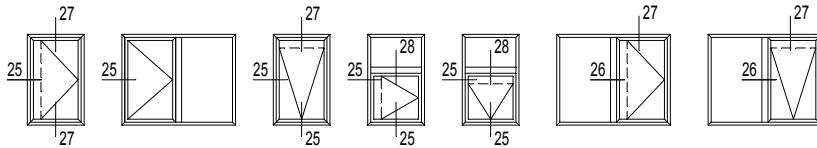
CS24-SL-020001.dxf
 CS24-SL-020001.dwg



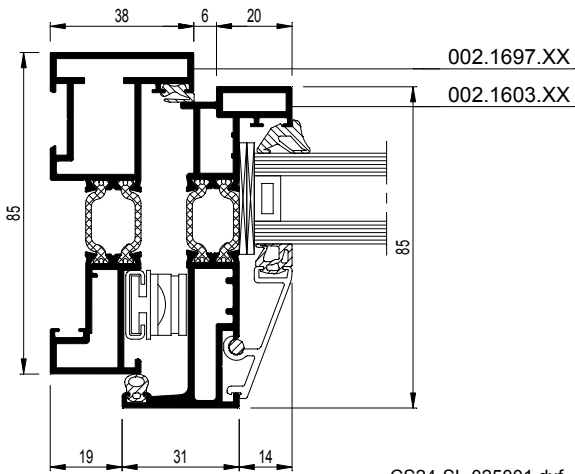
CS24-SL-021001.dxf
 CS24-SL-021001.dwg



CS24-SL-030001.dxf
 CS24-SL-030001.dwg

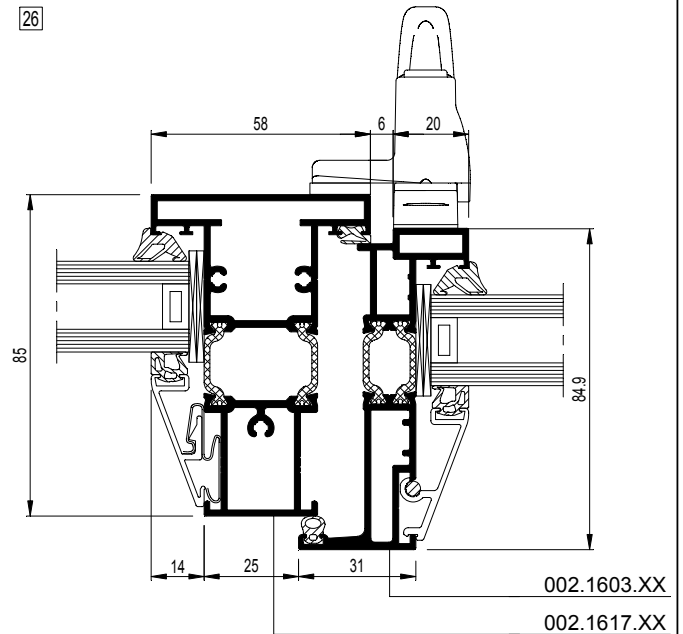


25



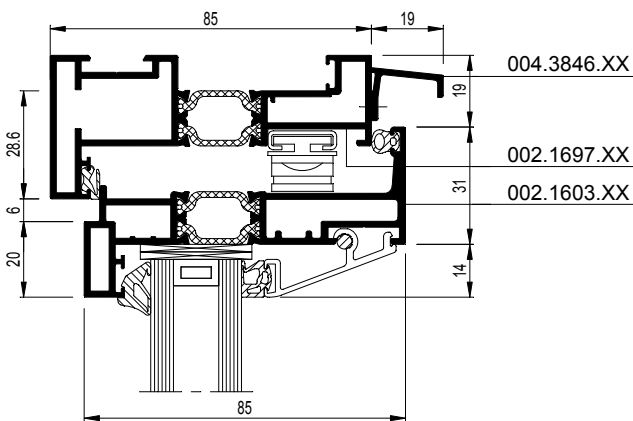
CS24-SL-025001.dxf
 CS24-SL-025001.dwg

26



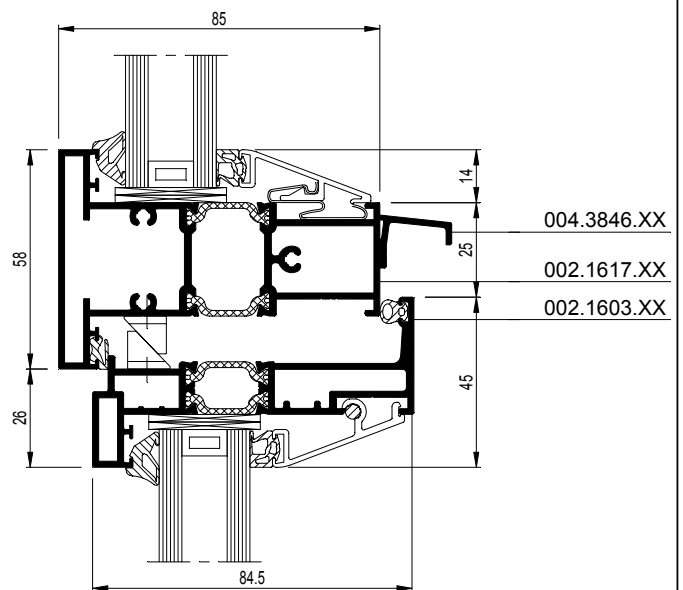
CS24-SL-026001.dxf
 CS24-SL-026001.dwg

27



CS24-SL-027001.dxf
 CS24-SL-027001.dwg

28



CS24-SL-028001.dxf
 CS24-SL-028001.dwg